

AQ2160-02

Optical Powermeter



Lightweight, robust, multifunctional and high- performance

With a wide range of functions, the AQ2160-02 optical powermeter is a powerful tool for use in fiber-optic installation and maintenance. Its rugged, durable construction making it the perfect choice for a wide range of field applications, from FTTH to access/trunk lines and LANs

■ Wide range of functions

- Supports line loss measurement based on relative values, as well as CW light, CHOP light, and current light measurement based on absolute values.
- User calibration function for incorporation into an external fixed attenuator, enabling high-power measurement during CATV-related work.
- Measurement value memory function (reduces user workload during elevated work) and USB interface for transferring data from memory to a PC.

■ High performance

- Low-power consumption design allows approximately 40 hours of battery life at normal temperatures (using two alkaline dry cells).
- Durable and rugged construction suitable for outdoor work (weatherproofing: conforms to IEC 60529 IPx1).
- Wide operating temperature range: 0°C to +50°C

Specifications

| | |
|---|--|
| Sensor performance | |
| Wavelength range | 750–1700 nm (settable in 5 nm steps) |
| Photodetector | InGaAs (1 mm ϕ) |
| Power range | -70 to +10 dBm |
| Accuracy ¹⁾ | $\pm 5\%$ |
| Optical connector | Connector adapter (optional) |
| Applicable fibers type | SM (9/125 μ m), GI (50/125 μ m), GI (62.5/125 μ m) |
| Powermeter performance and functions | |
| Display | 7 segments, 4 digits, back light |
| Display resolution | 0.01 |
| Displayed units | Absolute values: dBm, mW, μ W, nW Relative values: dB |
| Calibration coefficient | Sensor wavelength sensitivity correction (5 nm steps) |
| Range switching | Automatic |
| Measurement mode | Switches between CW light and CHOP light (270 Hz, 1 kHz, 2 kHz) |
| Measurement interval | Approximately 330 ms |
| Relative value measurement | Relative value measurement relative to a set reference value Relative value measurement based on a displayed measurement |
| Backlight | Turns on while backlight key is pressed, and stays on for approximately 5 seconds after backlight key is pressed |
| Memory function | Stores/deletes measurement records and measurement values in 1000-record standard memory and 100-record user memory |
| Interface | USB |
| Resume function | Resumes operation with settings which were active at preceding power-off |
| Power saving | Power turns off automatically when there is no key input for approximately 10 minutes (this function can be disabled) |
| Battery check | Low-battery indicator |
| Power supply | Two AA batteries (alkaline dry cells or nickel metal-hydride rechargeable batteries) or optional AC adapter |
| Battery life ²⁾ | Approximately 40 hours (as measured using alkaline dry cells, at 25°C with CW light input) |
| Environmental conditions | Operating temperature range: 0°C to +50°C Storage temperature range: -25°C to +70°C Relative humidity: 80% or less (no condensation) |
| Weatherproofing | Conforms to JIS C 0920 weatherproofing TYPE I |
| Dimensions and weight | 70 (W) \times 152 (H) \times 32 (D) mm Approximately 250 g |
| Included accessories | Two alkaline batteries, neck strap, carrying pouch, user's manual, USB application software (CD-ROM) |
| Safety/EMC | Conforms to EN61010 (safety) and EN61326 (EMC) |

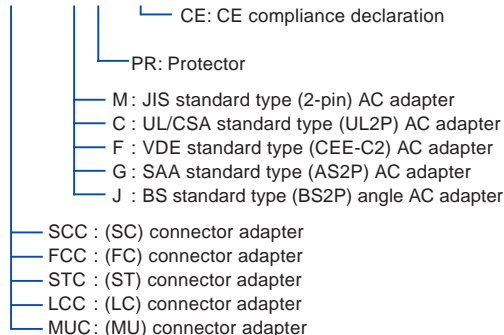
Note 1: Ta=23 \pm 5°C, reference conditions (1310 nm, -20 dBm, using SM fiber)
Note 2: Varies depending on usage conditions and battery.

Model

Product name: AQ2160-02 Optical Powermeter

Model number:

SU1005A/□□□□□□□□



* Contact us if you have any questions.

Options

| Product | Model number | Specifications |
|--------------------|--------------|----------------------------------|
| Connector adapter | SU2004A | -SCC SC |
| | | -FCC FC |
| | | -STC ST |
| | | -LCC LC |
| | | -MUC MU |
| Protective Holster | SU2002A | |
| AC adapter | SU2007A | -M JIS standard type (2-pin) |
| | | -C UL/CSA standard type (UL2P) |
| | | -F VDE standard type (CEE-C2) |
| | | -G SAA standard type (AS2P) |
| | | -J BS standard type (BS2P) angle |
| Soft carrying case | SU2006A | |



*The photo shows all included accessories except for the CD-ROM and the user's manual.

Related Products



Optical Powermeter
AQ2160-01

Handheld powermeter for absolute value measurement only

LD light source (1310/1550 nm)

AQ4270-01

High-performance handheld light source capable of CHOP light output



OTDR
AQ7260

Measuring instrument for detecting damage points on optical fiber lines

TrafficTester/Mini

AE5501

Handheld tester for Ethernet line setup and maintenance



Caution

- If you plan to export this product outside of Japan, you may need approval from the Japanese government pursuant to the stipulations of the Foreign Exchange and Foreign Trade Control Law.
- In addition, this product is subject to restrictions under the United States Export Control Act, so export approval from the United States government may be required depending on the destination country.

YOKOGAWA

YOKOGAWA ELECTRIC CORPORATION
Communication & Measurement Business Headquarters /Phone: (81)-422-52-6768, Fax: (81)-422-52-6624
E-mail: tm@csv.yokogawa.co.jp

YOKOGAWA CORPORATION OF AMERICA Phone: (1)-301-916-0409, Fax: (1)-301-916-1498
YOKOGAWA EUROPE B.V. Phone: (31)-33-4641858, Fax: (31)-33-4641859
YOKOGAWA ENGINEERING ASIA PTE. LTD. Phone: (65)-62419933, Fax: (65)-62412606

Subject to change without notice.
[Ed : 02/b] Copyright ©2004
Printed in Japan, 412(KP)